



# RHINO

Rhino is definitely the brand for serious anglers. Particularly those who look for that extra performance in their products and an assurance of constant quality from their tackle. Extreme performance for a fair price.



### REELS

Rhino Trolling R3

### RODS

Boat R4-7  
Allround R8-9

### ACCESSORIES

Wire Traces R10-11  
Spoon R12-19  
Bait Holder R20-21  
Soft Lures, Salmon Tracker, Box R22-24  
Special Leads R25  
Boat Rod Holder R26-27  
VX Motor & Spare Parts R28-29  
BLX Motor & Spare Parts R30-31  
Cobold Motor & Spare Parts R32-33  
Landing Net, Promotional Items R26



**NEW**



### RHINO TROLLING

The ideal multiplier reel with line counter for our trolling rods. The counter measures the length of line let out in feet (1 foot = 30.5 cm) enabling trolling and sea anglers to control their bait depth even more accurately. Four ball bearings ensure a smooth action while a power handle provides the necessary drive. The jerk-free drag has sufficient bite to stop ferocious opponents. The reel is available in right-hand and left-hand versions covering a range of angling conditions from salmon and pike trolling to intermediate sea angling.

### STANDARD TECHNICAL EQUIPMENT:

- Robust nylon housing
- Oversized multi-stack drag system
- Powerful gears
- Continuous anti-reverse



Code	Model	m / mm	Gear Ratio	Retrieve	BB	Drag F.	Weight	RRP £
0609 030	430 RH	320 / 0,45	4,1:1	68 cm	4	15 kg / 33 lbs	614 g	97.95
0609 130	430 LH	320 / 0,45	4,1:1	68 cm	4	15 kg / 33 lbs	614 g	97.95

Spare Spool	Model	RRP £
0984 027	Sp.Pool Rhino Trolling 430 RH	11.55
0984 028	Sp.Pool Rhino Trolling 430 LH	11.55



**BALTIC TROLLING RIGGER**

Shorter downrigger rods take up less space, meaning easier storage and more room on the boat when a fight is on. Mike Luner (two-time European Trolling Championship runner-up) developed the range, with a central focus on providing sufficient power – even for big salmon – balanced with enough softness to ensure the right amount of action.

Code	Model	Length	Sections	C.W.	Tr-Length	Weight	RRP £
1457 210	Baltic Trolling Rigger	2,10 m	2	10 - 20 lb	1,13 m	340 g	114.95
1457 240	Baltic Trolling Rigger	2,40 m	2	10 - 20 lb	1,28 m	380 g	119.95

**BALTIC TROLLING PLANER BOARD**

Powerful yet sensitive rod for planer board angling. Whether you are fishing with inline boards or larger planer boards, this rod offers the necessary length to hold the line above the water and can take large paravanes or small diving discs without compromising its positive fight qualities.

Code	Model	Length	Sections	C.W.	Tr-Length	Weight	RRP £
1458 260	Baltic Trolling Planer Board	2,60 m	2	10 - 20 lb	1,35 m	418 g	123.95

**TROLLING MASTER RIGGER**

Ultra-modern new trolling rod with a very light and slender blank. The fully parabolic action forgives any mistakes during a fight and makes battling with sprightly salmonids a pure pleasure. Also outstandingly suited to sea trout fishing as well as for targeting salmonids in the Baltic Sea that do need quite so much backbone e.g. trolling for cod.

Code	Model	Length	Sections	C.W.	Tr-Length	Weight	RRP £
13018 210	Trolling Master Rigger	2,10 m	2	8 - 20 lbs / 30 - 80 g	1,13 m	259 g	80.95
13018 240	Trolling Master Rigger	2,40 m	2	8 - 20 lbs / 30 - 80 g	1,24 m	282 g	84.95



**BALTIC TROLLING INLINE**

An innovation for inline fans. These rods make line tangling around the rings a thing of the past. The rods' hallmark is their sensitive through action that leaves nothing to be desired when it comes to power. Also a good choice for light piking. Threader included.

Code	Model	Length	Sections	C.W.	Tr-Length	Weight	RRP £
1456 210	Baltic Trolling Inline	2,10 m	2	10 - 20 lb	1,13 m	280 g	95.95
1456 211	Baltic Trolling Inline	2,10 m	2	8 - 16 lbs / 30 - 70 g	1,13 m	270 g	91.95
1456 240	Baltic Trolling Inline	2,40 m	2	15 - 25 lb	1,24 m	305 g	101.95
1456 270	Baltic Trolling Inline	2,70 m	2	20 - 30 lb	1,41 m	294 g	117.95



**TROLLING TEAM RIGGER WITCH**

This special downrigger rod makes trolling a magical experience. With its trendy design to match the Dive Master this rod will soon find many friends. The tough blank will take all the strain that occurs when trolling.

Code	Model	Length	Sections	C.W.	Tr-Length	Weight	RRP £
13019 210	Trolling Team Rigger Witch	2,10 m	2	12 - 20 lbs / 40 - 80 g	1,13 m	339 g	43.95
13019 240	Trolling Team Rigger Witch	2,40 m	2	12 - 20 lbs / 40 - 80 g	1,24 m	389 g	49.95



**TROLLING TEAM DIVE MASTER**

Outstanding for pike and salmon trolling. When it comes to the crunch with divers the rod stands the test with the necessary stiff backbone. The sensitive tip will subdue even lightly hooked opponents during the fight. Perhaps the best rod ever to come to market for this area of angling. Also excellent for piking with a multiplier reel.

Code	Model	Length	Sections	C.W.	Tr-Length	Weight	RRP £
13019 285	Trolling Team Dive Master	2,85 m	2	15 - 30 lbs / 50 - 130 g	1,50 m	378 g	58.95



**TROLLING XTRA**

A workhorse for novices. The rock-solid blank is ideal for trolling for cod, sea trout and salmon. The fibreglass in the blank provides the necessary buffering properties and makes the rod impervious to the everyday stresses of trolling.

Code	Model	Length	Sections	C.W.	Tr-Length	Weight	RRP £
13020 240	Trolling Xtra	2,40 m	2	40 - 80 g / 12 - 20 lbs	1,24 m	392 g	38.95





## RHINO EPOXY MASTER BIG FISH

A two-piece boat rod for when heavy-duty power is needed. A true work-horse for sea, catfish or sturgeon anglers who want to exploit the full strength of the exclusive material mix of fibreglass and epoxy.

Code	Model	Length	Sections	C.W.	Tr.-Length	Weight	RRP £
1832 240	Rhino Epoxy Master Big Fish	2,40 m	2	300 g	1,25 m	523 g	49.95
1832 270	Rhino Epoxy Master Big Fish	2,70 m	2	300 g	1,40 m	582 g	60.95
1832 300	Rhino Epoxy Master Big Fish	3,00 m	2	300 g	1,54 m	647 g	64.95



## RHINO EPOXY MASTER PILK

An all-round rod for intermediate sea angling with an increasingly sensitive tip. The blank has limitless reserves of power. A dream both for pirkng as well as various forms of natural bait angling.

Code	Model	Length	Sections	C.W.	Tr.-Length	Weight	RRP £
1843 240	Rhino Epoxy Master Pilk	2,40 m	2	175 g	1,25 m	472 g	43.95
1843 270	Rhino Epoxy Master Pilk	2,70 m	2	175 g	1,40 m	493 g	47.95



## RHINO EPOXY MASTER LIGHT PILK

When sea fishing from a small boat, a classic pirkng rod is normally just too powerful. This is where the Light Pirk comes into its own. Sensitive yet almost indestructible thanks to the exclusive material mix of fibreglass and epoxy.

Code	Model	Length	Sections	C.W.	Tr.-Length	Weight	RRP £
1844 240	Rhino Epoxy Master Light Pilk	2,40 m	2	125 g	1,25 m	395 g	43.95
1844 270	Rhino Epoxy Master Light Pilk	2,70 m	2	125 g	1,40 m	435 g	47.95



## RHINO EPOXY MASTER SPIN

Two-piece spinning rod in extremely resilient fibreglass in conjunction with epoxy. Despite its low weight and balanced action, this makes the rod a robust partner when it comes to serious spinning.

Code	Model	Length	Sections	C.W.	Tr.-Length	Weight	RRP £
1845 240	Rhino Epoxy Master Spin	2,40 m	2	40 - 80 g	1,25 m	342 g	47.95
1845 270	Rhino Epoxy Master Spin	2,70 m	2	40 - 80 g	1,40 m	383 g	49.95





### RHINO STEEL TRACE

Nylon-coated, with a barrel-type swivel and a safety swivel

Code	Model	Length	Ø	BS	Content	RRP €
2305 006	1x7	0,3 m	0,24 mm	6 kg	2 pcs	0.95
2305 009	1x7	0,3 m	0,27 mm	9 kg	2 pcs	0.95
2305 013	1x7	0,3 m	0,33 mm	13 kg	2 pcs	0.95
2306 006	1x7	0,5 m	0,24 mm	6 kg	2 pcs	0.95
2306 009	1x7	0,5 m	0,27 mm	9 kg	2 pcs	0.95
2306 013	1x7	0,5 m	0,33 mm	13 kg	2 pcs	0.95
2306 017	1x7	0,5 m	0,39 mm	17 kg	2 pcs	0.95
2307 009	1x7	0,7 m	0,27 mm	9 kg	2 pcs	0.95
2307 013	1x7	0,7 m	0,33 mm	13 kg	2 pcs	0.95
2307 017	1x7	0,7 m	0,39 mm	17 kg	2 pcs	0.95



### RHINO STEEL TRACE

Nylon-coated, with a loop at both ends

Code	Model	Length	Ø	BS	Content	RRP €
2316 005	1x7	0,7 m	0,21 mm	5 kg	2 pcs	0.75
2316 008	1x7	0,7 m	0,27 mm	8 kg	2 pcs	0.75
2316 012	1x7	0,7 m	0,33 mm	12 kg	2 pcs	0.75



### RHINO STEEL TRACE

Nylon-coated, with a loop and double hook

Code	Model	Hook Size	Length	Ø	BS	Content	RRP €
4202 003	1x7	9	0,6 m	0,18 mm	3 kg	1 pcs	0.75
4202 005	1x7	7	0,6 m	0,21 mm	5 kg	1 pcs	0.75
4202 007	1x7	5	0,6 m	0,24 mm	7 kg	1 pcs	0.75
4202 009	1x7	2	0,6 m	0,27 mm	9 kg	1 pcs	0.75



### RHINO STEEL TRACE

Nylon-coated, with a loop and single hook

Code	Model	Hook Size	Length	Ø	BS	Content	RRP €
4203 008	1x7	2	0,6 m	0,27 mm	8 kg	1 pcs	0.75
4203 012	1x7	1/0	0,6 m	0,33 mm	12 kg	1 pcs	0.75
4203 015	1x7	2/0	0,6 m	0,36 mm	15 kg	1 pcs	0.75



### RHINO STEEL TRACE

Nylon-coated, with a barrel swivel and safety swivel

Code	Model	Length	Ø	BS	Content	RRP €
2317 009	1x7	0,5 m	0,27 mm	9 kg	2 pcs	0.75
2317 012	1x7	0,5 m	0,33 mm	12 kg	2 pcs	0.75
2317 015	1x7	0,5 m	0,36 mm	15 kg	2 pcs	0.75



### RHINO STEEL TRACE

Nylon-coated, with a loop and treble hook

Code	Model	Hook Size	Length	Ø	BS	Content	RRP €
4201 005	1x7	8	0,6 m	0,21 mm	5 kg	1 pcs	0.75
4201 008	1x7	6	0,6 m	0,27 mm	8 kg	1 pcs	0.75
4201 012	1x7	5	0,6 m	0,33 mm	12 kg	1 pcs	0.75
4201 015	1x7	1	0,6 m	0,36 mm	15 kg	1 pcs	0.75



### RHINO STEEL TRACE

Nylon-coated, with a barrel swivel and safety swivel

Code	Model	Length	Ø	BS	Content	RRP €
2318 005	7x7	0,5 m	0,34 mm	5 kg	2 pcs	1.35
2318 008	7x7	0,5 m	0,38 mm	8 kg	2 pcs	1.35
2318 012	7x7	0,5 m	0,42 mm	12 kg	2 pcs	1.35



### RHINO STEEL TRACE

Nylon-coated, with a barrel-type swivel and a safety swivel

Code	Model	Length	Ø	BS	Content	RRP €
2310 006	7x7	0,3 m	0,35 mm	6 kg	2 pcs	1.15
2310 009	7x7	0,3 m	0,39 mm	9 kg	2 pcs	1.15
2310 013	7x7	0,3 m	0,45 mm	13 kg	2 pcs	1.15
2311 006	7x7	0,5 m	0,35 mm	6 kg	2 pcs	1.35
2311 009	7x7	0,5 m	0,39 mm	9 kg	2 pcs	1.35
2311 013	7x7	0,5 m	0,43 mm	13 kg	2 pcs	1.35
2311 017	7x7	0,5 m	0,45 mm	17 kg	2 pcs	1.35
2312 006	7x7	0,7 m	0,35 mm	6 kg	2 pcs	1.55
2312 009	7x7	0,7 m	0,39 mm	9 kg	2 pcs	1.55
2312 013	7x7	0,7 m	0,43 mm	13 kg	2 pcs	1.55
2312 017	7x7	0,7 m	0,45 mm	17 kg	2 pcs	1.55



### RHINO STEEL TRACE

Nylon-coated, with a loop at both ends

Code	Model	Length	Ø	BS	Content	RRP £
2324 005	7x7	0,5 m	0,34 mm	5 kg	2 pcs	1.15
2324 008	7x7	0,5 m	0,38 mm	8 kg	2 pcs	1.15
2324 012	7x7	0,5 m	0,42 mm	12 kg	2 pcs	1.15
2325 005	7x7	0,7 m	0,38 mm	5 kg	2 pcs	1.35
2325 008	7x7	0,7 m	0,34 mm	8 kg	2 pcs	1.35
2325 012	7x7	0,7 m	0,42 mm	12 kg	2 pcs	1.35



### RHINO STEEL TRACE

Nylon-coated, with a loop and treble hook

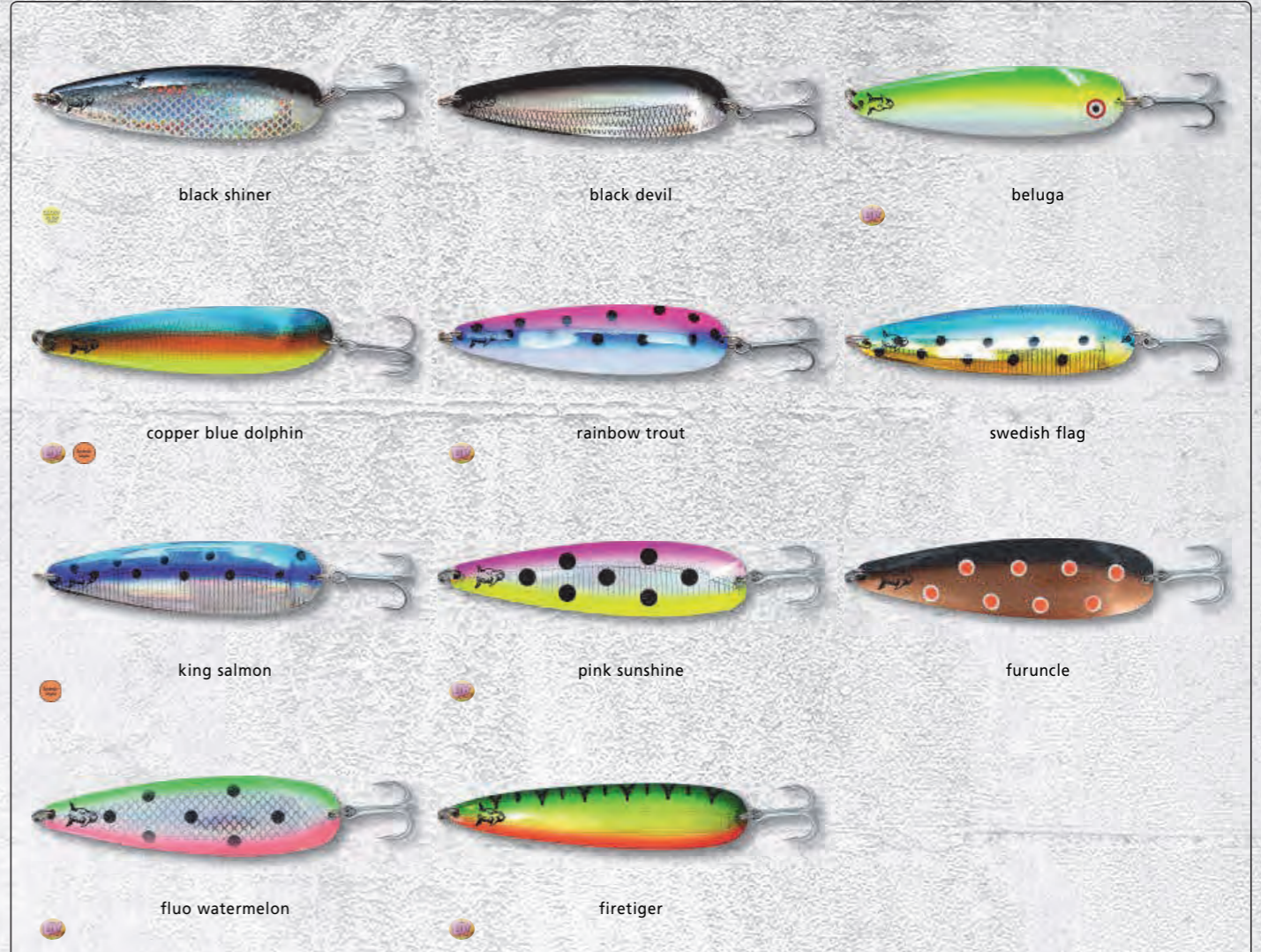
Code	Model	Hook Size	Length	Ø	BS	Content	RRP £
4204 005	7x7	8	0,6 m	0,34 mm	5 kg	1 pcs	0.95
4204 008	7x7	6	0,6 m	0,38 mm	8 kg	1 pcs	0.95
4204 012	7x7	5	0,6 m	0,42 mm	12 kg	1 pcs	0.95
4204 015	7x7	1	0,6 m	0,45 mm	15 kg	1 pcs	0.95



### RHINO STEEL TRACE

Nylon-coated, with a loop and single hook

Code	Model	Hook Size	Length	Ø	BS	Content	RRP £
4205 008	7x7	2	0,6 m	0,38 mm	8 kg	1 pcs	0.95
4205 012	7x7	1/0	0,6 m	0,42 mm	12 kg	1 pcs	0.95
4205 015	7x7	2/0	0,6 m	0,45 mm	15 kg	1 pcs	0.95



### RHINO TROLLING SPOONS

You want to catch big fish, right? And you want to troll medium and large lures with the same speed? This is where Rhino Trolling Spoons really come into their own category. The lures have been specially designed by our trolling experts for trolling in the Baltic Sea. In open water and during the herring run, salmon and sea trout often prefer larger baits. We have put together an optimum range of colours for you whether you are fishing off Rügen, Fehmarn, Bornholm, Simrishamn or the Gulf of Finland – you will always be well prepared. The agile, almost aggressive swim action also attracts predators to take the bait at a trolling speed to match that used by most boats.

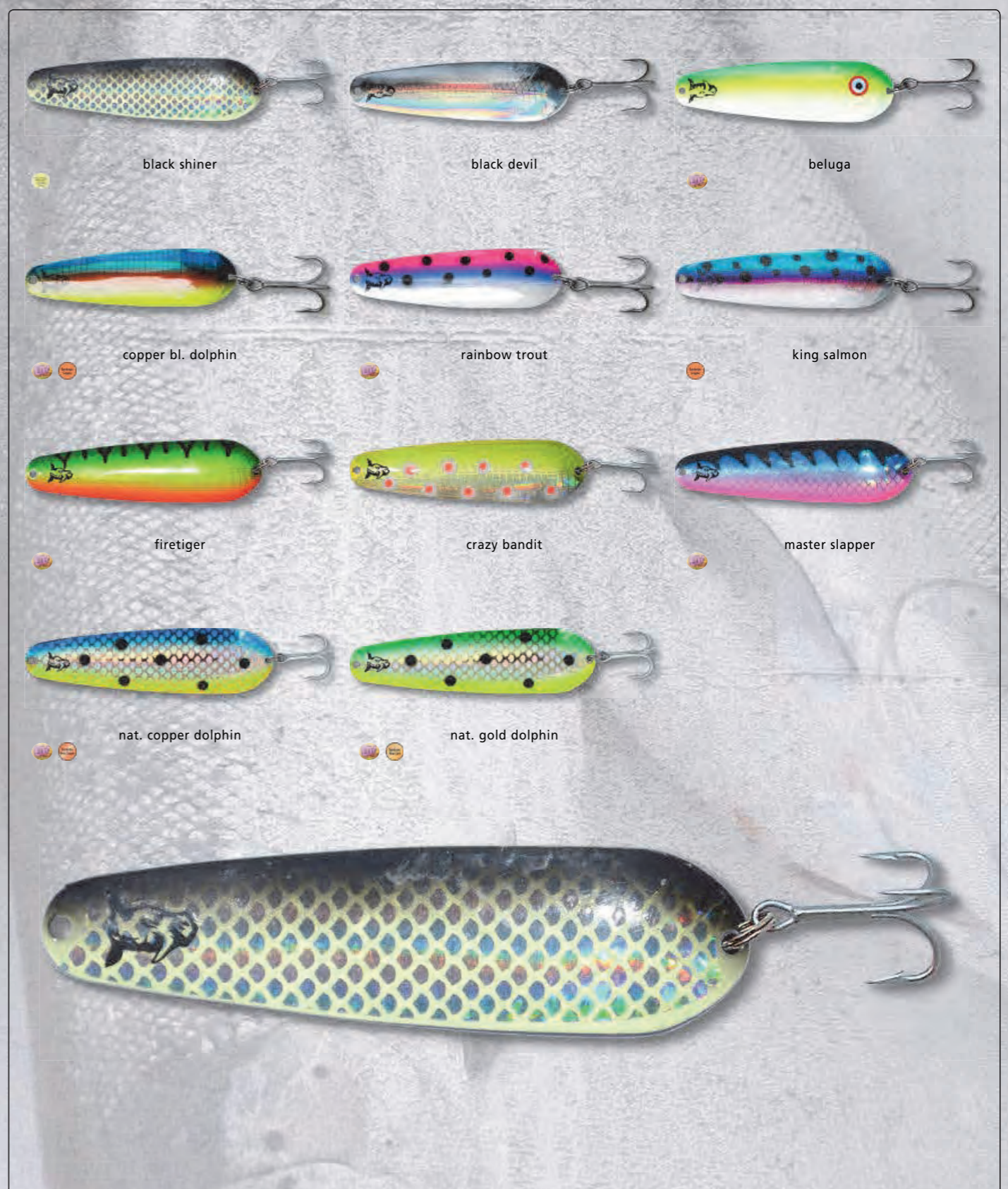
Length	Model	Weight	Content	black shiner	black devil	beluga	copper blue dolphin	rainbow trout	swedish flag	king salmon	pink sunshine	furuncle	fluo watermelon	firetiger	RRP £
115 mm	MAG	16 g	1 pcs	3395 001	3395 002	3395 004	3395 005	3395 008	3395 009	3395 010	3395 019	3395 020	3395 021	3395 023	6.35
150 mm	Xtra MAG	27 g	1 pcs	3395 101	3395 102	3395 104	3395 105	3395 108	3395 109	3395 110	3395 119	3395 120	3395 121	3395 123	7.95



### RHINO TROLLING SPOONS

You want to catch big fish, right? And you want to troll medium and large lures with the same speed? This is where Rhino Trolling Spoons really come into their own category. The lures have been specially designed by our trolling experts for trolling in the Baltic Sea. In open water and during the herring run, salmon and sea trout often prefer larger baits. We have put together an optimum range of colours for you whether you are fishing off Rügen, Fehmarn, Bornholm, Simrishamn or the Gulf of Finland – you will always be well prepared. The agile, almost aggressive swim action also attracts predators to take the bait at a trolling speed to match that used by most boats.

Length	Model	Weight	Content	crazy bandit	old witch	master slapper	rügen	copper master herring	gold swedish flag	natural copper blue dolphin	natural gold green dolphin	RRP £
115 mm	MAG	16 g	1 pcs	3395 028	3395 029	3395 030	3395 031	3395 032	3395 034	3395 037	3395 038	6.35
150 mm	Xtra MAG	27 g	1 pcs	3395 128	3395 129	3395 130	3395 131	3395 132	3395 134	3395 137	3395 138	7.95

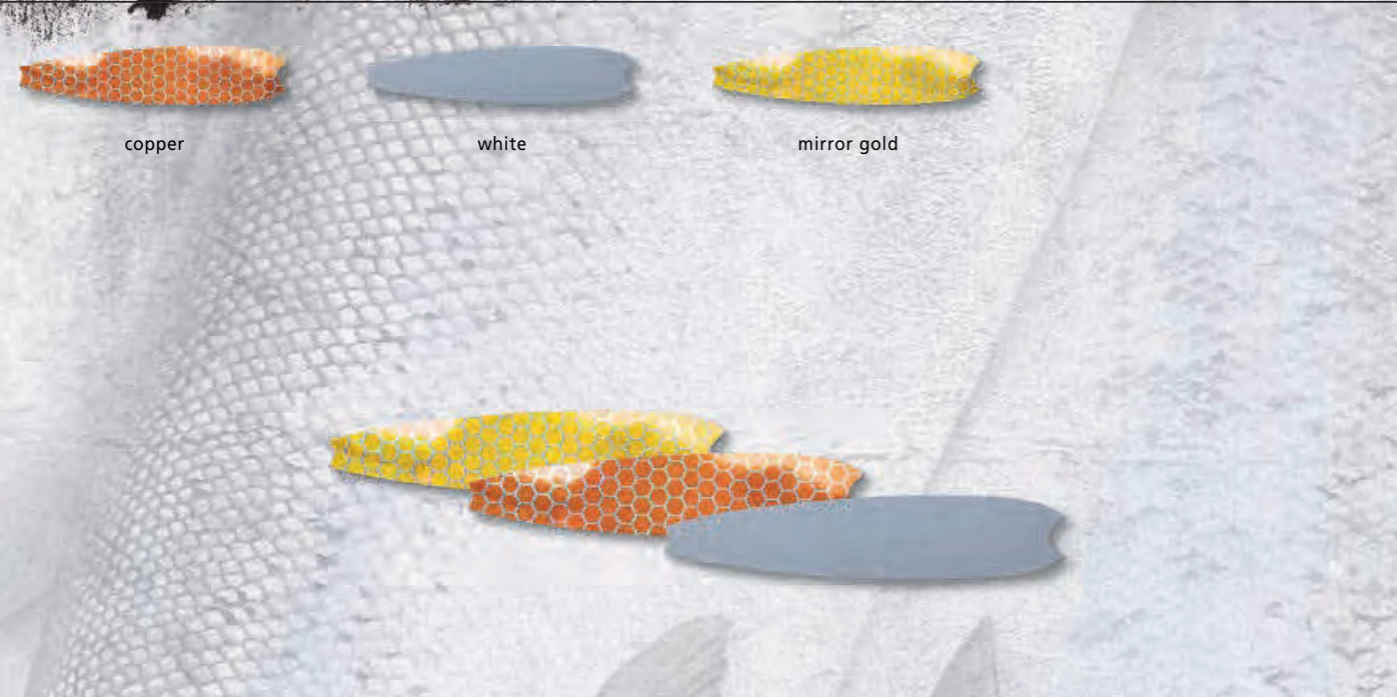


### RHINO TROUT KILLER

At last, we can offer the alluring Rhino spoon in a size specially designed for sea trout, which prefer a smaller lure fished close to the shore. In the new Trout Killer Spoon range, we are offering a tailor-made spoon and colour concept specially designed for sea trout sport. The retrieve action of the spoons ranges from agile to aggressive while the speed has been optimally matched to the other spoons in the Rhino range. Don't forget to try this lure for salmon at depth when small sprats are on the menu for the fish! Many a 10-kg salmon has already given in to the temptation.

Length	Weight	Content	black shiner	black devil	beluga	copper bl. dolphin	rainbow trout	king salmon	firetiger	crazy bandit	master slapper	nat. copper dolphin	nat. gold dolphin	RRP £
85 mm	12 g	1 pcs	3397 001	3397 002	3397 004	3397 005	3397 008	3397 010	3397 023	3397 028	3397 030	3397 037	3397 038	5.05





copper                      white                      mirror gold

### TROLLING INSIDE FOILS

The intelligent solution to tuning your trolling lures. Often it is the inner side that decides whether a lure is taken – ultimately, it is this that reflects the light. As most lures are supplied with a silver inner side, we have provided gold, copper and white to vary your options. Available in two sizes, suitable for Rhino Trolling Spoons in large Mag and Xtra Mag sizes. Highly adhesive and scratchproof.

Length	Model	Content	copper	white	mirror gold	RRP £
115 mm	MAG	3 pcs	3395 995	3395 996	3395 994	2.25
150 mm	Xtra MAG	3 pcs	3395 998	3395 999	3395 997	2.25



black devil                      sandeel                      blue/silver                      beluga  
 black gold angel                      gold green dolphin                      rainbow                      king salmon

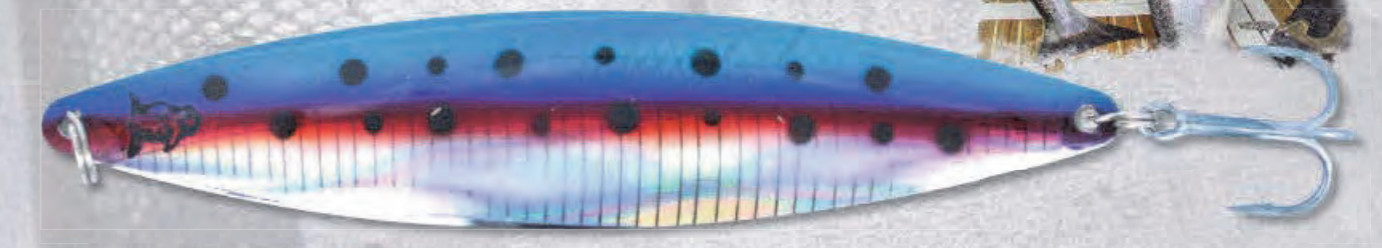
### RHINO XTRA SLIM

Besides the colour, the shape is obviously also important. When the fish are fixated with sand eels, this trolling lure comes into its own. A perfect imitation of a Toby in its shape, action and colours.

Length	Weight	Content	black devil	sandeel	blue/silver	beluga	black gold angel	gold green dolphin	rainbow	king salmon	RRP £
150 mm	19 g	1 pcs	3378 002	3378 026	3378 027	3378 004	3378 017	3378 006	3378 008	3378 010	6.75



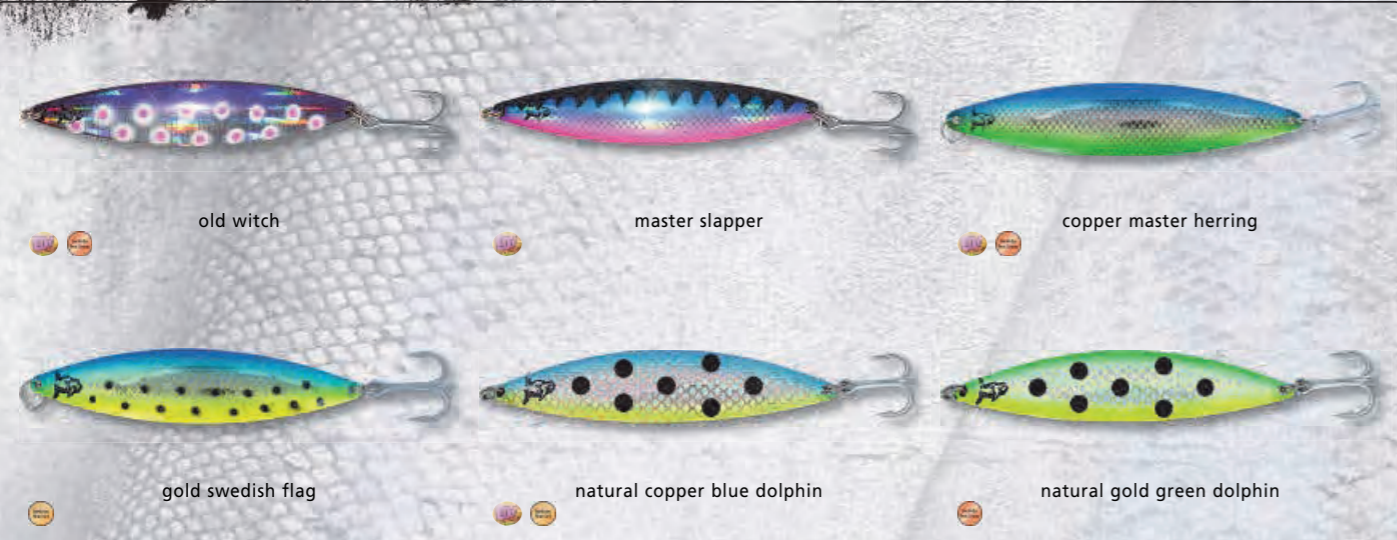
black shiner                      black devil                      beluga  
 rainbow trout                      king salmon                      pink sunshine  
 furuncle                      fluo watermelon                      firetiger  
 sandeel                      crazy bandit



### RHINO LAX SPOON

A tried and trusted design. It is difficult to go wrong with this trolling spoon in terms of retrieval speed. With a slow retrieve, it wobbles alluringly, and with a faster retrieve the spoon kicks quickly without rotating. We are sure many a trolling fan will be adding this design to his lure box alongside previous Rhino spoons.

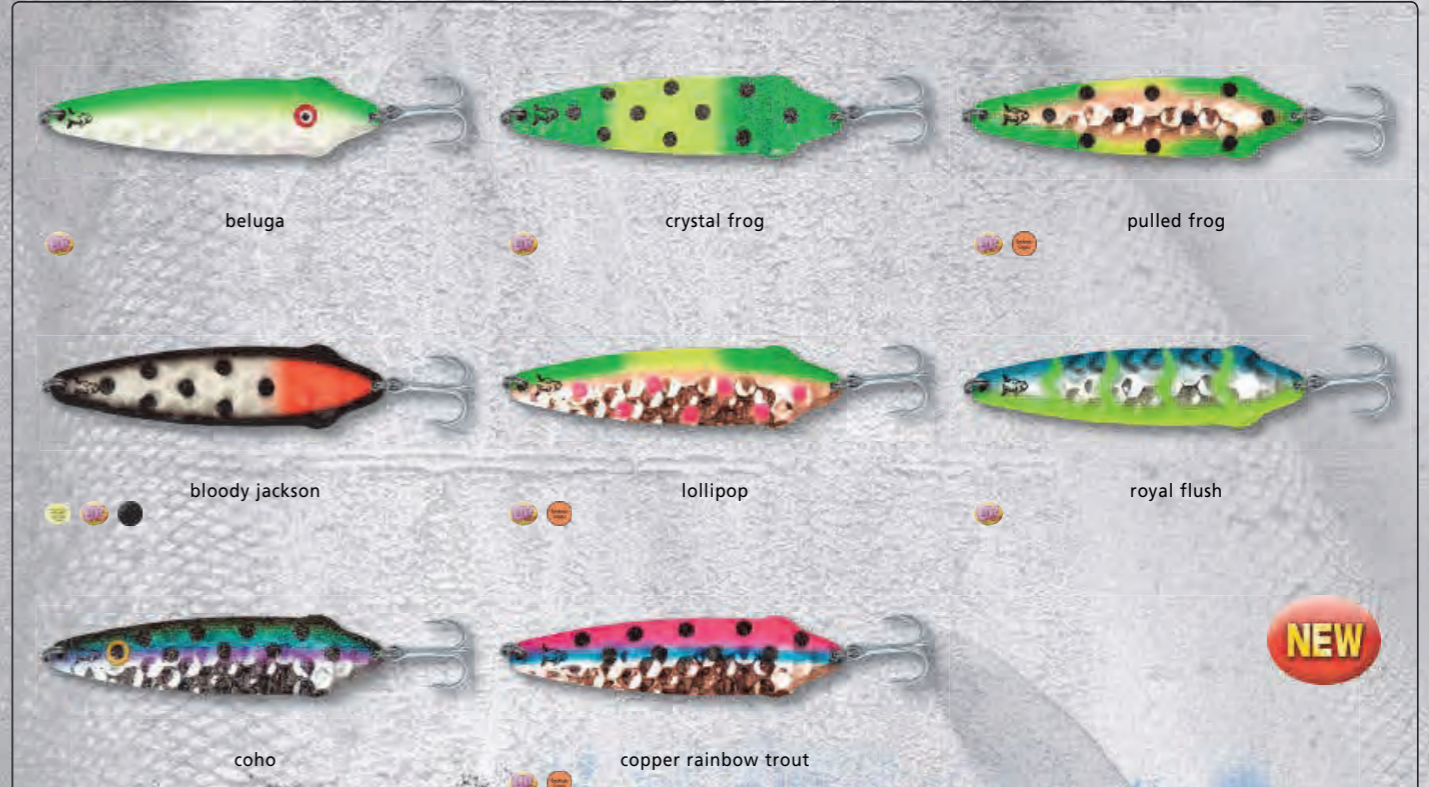
Length	Model	Weight	Content	black shiner	black devil	beluga	rainbow trout	king salmon	pink sunshine	furuncle	fluo watermelon	firetiger	sandeel	crazy bandit	RRP £
115 mm	L	12 g	1 pcs	3398 001	3398 002	3398 004	3398 008	3398 010	3398 019	3398 020	3398 021	3398 023	3398 026	3398 028	5.95
150 mm	XL	18 g	1 pcs	3398 101	3398 102	3398 104	3398 108	3398 110	3398 119	3398 120	3398 121	3398 123	3398 126	3398 128	6.85



### RHINO LAX SPOON

A tried and trusted design. It is difficult to go wrong with this trolling spoon in terms of retrieval speed. With a slow retrieve, it wobbles alluringly, and with a faster retrieve the spoon kicks quickly without rotating. We are sure many a trolling fan will be adding this design to his lure box alongside previous Rhino spoons.

Length	Model	Weight	Content	old witch	master slapper	copper master herring	gold swedish flag	natural copper blue dolphin	natural gold green dolphin	RRP £
115 mm	L	12 g	1 pcs	3398 029	3398 030	3398 032	3398 034	3398 037	3398 038	5.95
150 mm	XL	18 g	1 pcs	3398 129	3398 130	3398 132	3398 134	3398 137	3398 138	6.85



**NEW**

### FREDDI FLUTTER

Ultra-agile flutter spoon for trolling for cod, sea trout and salmon. The honeycomb structure provides tantalising light reflexes, which, combined with the colour designs put together by the Rhino trolling team, make the Freddi Flutter irresistible. And as a total innovation for the market, the model is also available as an ultra-large 190 mm salmon spoon, always a tremendous asset when the silver torpedoes are preying on herring. Every angler should always have an adequate supply of both sizes on board.

Length	Model	Weight	Hook Size	beluga	crystal frog	pulled frog	bloody jackson	lollipop	royal flush	coho	copper rainbow trout	RRP £
145 mm	XL	20 g	4/0	3373 104	3373 116	3373 139	3373 140	3373 141	3373 142	3373 143	3373 145	6.35
190 mm	XXL	30 g	4/0	3373 204	3373 216	3373 239	3373 240	3373 241	3373 242	3373 243	3373 245	7.95



**NEW**



## SALMON DOCTOR

An unusually heavy trolling spoon with a somewhat thicker blade and a fascinating, unconventional action. This is explained by the fact that the Salmon Doctor is mounted with the wide area of the spoon facing the swivel while the narrow end faces the hook. The action is fundamentally different from that of other standard trolling spoons, making it successful when the fish have simply seen other models far too often. With its additional weight, the Salmon Doctor is also outstandingly suited to long lining or on planer boards.

Length	Model	Weight	Hook Size	beluga	king salmon	crystal frog	natural copper blue dolphin	pulled frog	bloody jackson	mette	royal flush	RRP £
110 mm	M	22 g	2/0	3374 004	3374 010	3374 016	3374 037	3374 039	3374 040	3374 041	3374 042	5.75
156 mm	XL	41 g	4/0	3374 204	3374 210	3374 216	3374 237	3374 239	3374 240	3374 241	3374 242	7.95



Delivered unassembled without hook and swivel.

## RHINO BAIT HOLDER

We have added a natural bait system into the Rhino Bait Holder range that immediately convinced us in practical testing on the Baltic Sea: The range comprises natural bait heads in two sizes and ten colours: The heads were developed by Mika Kampmann and are based upon real fish. It is the combination of accuracy and alluring bait action that makes this system so exceptional. No effort is required when it comes to set-up in almost all cases. The large head has been tailor made for herring and the smaller model for roach and similar species. Using both heads allows a broad range of various deadbaits (10 - 28cm) to be brought to bear. When it came to selecting colours, we called upon both the tried and trusted Rhino colours as well as recommendations from experience with natural bait systems. Ideal bait sizes: Rhino Bait Holder Medium: e.g. Roach from 10-13 cm Rhino Bait Holder Large: e.g. Herring from 18-23 cm

Model	Content	mika	black shiner	black devil	master herring	gold green dolphin	uv watermelon	gold swedish flag	blue ice	king salmon	last try	RRP £
Medium	3 pcs	4285 001	4285 002	4285 003	4285 004	4285 005	4285 006	4285 007	4285 008	4285 009	4285 010	7.65
Large	3 pcs	4285 101	4285 102	4285 103	4285 104	4285 105	4285 106	4285 107	4285 108	4285 109	4285 110	7.95



**SOFTFISH LURE**

At last, an attractive rubber bait to fish behind flashers and dodgers. The transparent matrix enables highly attractive colour effects, which we offer in the tried and trusted Rhino Trolling Spoon designs.

Length	Weight	Content	black shiner	ambulance	gold swedish flag	king salmon	black glitter	gold/green dolphin	rainbow trout	RRP £
10,5 cm	12 g	3 pcs	3375 001	3375 002	3375 003	3375 004	3375 005	3375 006	3375 007	5.25



**FLASHER WITH SOFTFISH LURE**

Provides a high contrast when fishing in the depths. Extremely successful for many years, this colour combination is now available in a flasher combi.

Length	Ø	Content	Hook Size	black shiner	gold swedish flag	king salmon	gold/green dolphin	rainbow trout	michael jackson	ambulance	RRP £
20 cm	0,60 mm	1 pcs	1/0	3376 001	3376 002	3376 003	3376 004	3376 005	3376 006	3376 007	16.35



**SALMON TRACKER**

Perfectly functioning planer in aluminium and with a stainless steel arm. The EVA foam body reliably prevents unwanted diving in the waves. The clip holds the line securely in position but releases on the bite so that the planer does not create any more pressure during the fight. Extensive testing was performed to achieve an optimal shearing effect. Sold as a pair with one planer for the port side and another for the starboard side. A piece of cake to set up. 2 Pcs (right and left version) in Box.

Code	Length	Content	RRP £
6329 005	25 cm	2 pcs	45.95



**RHINO PARAVAN**

Head weights deliver the bait to the desired depth, enabling effective angling at a variety of water depths. Customary paravanes, however, have a distinct disadvantage. They require a leader and the leader is dependent on the length of the rod to enable you to still land the fish. Not so with the Rhino Paravan. This clip-on weight can attach anywhere to the line without causing damage. It neither affects the agile behaviour of the bait, nor alarms the fish because seaweed has become tangled up with it etc. All of this means less time with the rod in your hand than without the Rhino Paravan.

Code	Weight	Content	Colour	RRP £
6037 001	10 g	2 pcs	bright orange	5.05
6037 002	25 g	2 pcs	bright orange	6.85
6037 003	45 g	2 pcs	bright orange	10.25
6037 004	70 g	1 pcs	bright orange	7.25
6037 005	95 g	1 pcs	bright orange	8.95
6037 006	120 g	1 pcs	bright orange	11.55



**RHINO PARAVAN**

Head weights deliver the bait to the desired depth, enabling effective angling at a variety of water depths. Customary paravanes, however, have a distinct disadvantage. They require a leader and the leader is dependent on the length of the rod to enable you to still land the fish. Not so with the Rhino Paravan. This clip-on weight can attach anywhere to the line without causing damage. It neither affects the agile behaviour of the bait, nor alarms the fish because seaweed has become tangled up with it etc. All of this means less time with the rod in your hand than without the Rhino Paravan.

Code	Weight	Content	Colour	RRP £
6037 101	10 g	2 pcs	mat grey	5.05
6037 102	25 g	2 pcs	mat grey	6.85
6037 103	45 g	2 pcs	mat grey	10.25
6037 104	70 g	1 pcs	mat grey	7.25
6037 105	95 g	1 pcs	mat grey	8.95
6037 106	120 g	1 pcs	mat grey	11.55



**PRO STOW BOX**

A revival of the hugely successful lure box, specially designed for trolling anglers: much demanded, designed in collaboration with Mike Luner and capable of accommodating all types of lure – whether spoons, wobblers or pirkers – in separate compartments. The box combines a range of benefits: • Numerous lures (up to 20 cm long) can be transported together. • Clearly arranged storage. • Prevents lures from tangling • Lures are not thrown together, even if the box is tipped over. • Lures are no longer left in wet compartments the water drips down below. The box dries out when the lid is left open and the inserts can be removed where required

Code	Width	Height	Depth	RRP £
8024 001	21 cm	24 cm	42 cm	80.95



**PARAVAN, LEAD FREE**

Head weights deliver the bait to the desired depth, enabling effective angling at a variety of water depths. Customary paravanes, however, have a distinct disadvantage. They require a leader and the leader is dependent on the length of the rod to enable you to still land the fish. Not so with the Rhino Paravan. This clip-on weight can attach anywhere to the line without causing damage. It neither affects the agile behaviour of the bait, nor alarms the fish because seaweed has become tangled up with it etc. All of this means less time with the rod in your hand than without the Rhino Paravan.

Code	Weight	Content	Colour	RRP £
6037 202	15 g	2 pcs	mat grey	5.55
6037 203	25 g	2 pcs	mat grey	7.65
6037 204	40 g	1 pcs	mat grey	5.95
6037 205	55 g	1 pcs	mat grey	7.25
6037 206	75 g	1 pcs	mat grey	8.35



**UV TORCH**

Ideal for checking the glowing properties of baits or "charging" glow-in-the-dark baits. Batteries: 3xAAA (not included).

Code	RRP £
9895 005	14.65



### RHINO SALMON GRIPPER

Ultra-sharp single hook with upstream swivel. Can be fished on a trolling spoon in place of a treble and often takes a firmer hold than treble hooks.

Code	Hook Size	Content	Colour	RRP £	RRP €
4425 200	2/0	5 pcs	tin	H5245	4.45
4425 400	4/0	5 pcs	tin	H8255	4.65
4425 600	6/0	5 pcs	tin	H2285	5.25



### RHINO XTRA ROD HOLDER

Made from robust plastic and designed to produce the lowest of production tolerances. Can be attached to the deck and has 12 rest positions with 360° rotation. Thanks to a built-in notch, the rod can only be set in one position and cannot shift into the other positions unwanted through shaking. The tilt mechanism is securely attached via fixed snap-in points and a robust adjuster bolt. The rod can be secured against jumping out via a rubber clamp. Weight: 400 g.

Code	Weight	RRP £
8207 001	400 g	29.95



### RHINO XTRA TUBE ROD HOLDER

Deck holder as with the Standard Xtra Rod Holder 8207 001, but with a fitted tube rod holder in polished aluminium. Rods can be taken out at great speed. The upper tube edge is designed to protect the rod handle with a soft plastic sleeve. With anti-twist device for rods with cross slots. The tilt mechanism is securely attached via fixed snap-in points and a robust adjuster bolt. Height: 30 cm. Weight: 530 g.

Code	Height	Weight	RRP £
8207 002	30 cm	530 g	32.95



### RHINO ALU TURN&TILT RAILING ROD HOLDER

Fixed tube rod holder in polished aluminium. Rods can be taken out at great speed. The upper tube edge is designed to protect the rod handle with a soft plastic sleeve. With anti-twist device for rods with cross slots. For horizontal railing mounting via a super robust railing adapter (4 bolts, supplied). Suitable for 25 mm / 1" railing bars. Height: 30 cm. Weight: 740 g.

Code	Height	Weight	RRP £
8208 003	30 cm	740 g	51.95



### RHINO XTRA ROD RACK, 3 RODS

Three rod holder in shock resistant white plastic. Mounted with 6 stainless steel bolts (supplied). The bracket has additional storage capacity, e.g. for forceps and fishing knives. Dimensions: 45 x 30 cm. Weight: 830 g

Code	Width	Height	Weight	RRP £
8209 001	45 cm	30 cm	830 g	29.95



### RHINO ALU TURN&TILT RAILING ROD HOLDER

Like 8208 001, only for rail mounting via a super robust railing adapter (4 bolts, supplied). Suitable for 25 mm / 1" railing bars. Height: 30 cm. Weight: 1,080 g.

Code	Height	Weight	RRP £
8208 002	30 cm	1080 g	88.95



## RHINO VX ELECTRIC OUTBOARD MOTOR

Strong, stronger, Rhino VX! Introducing one of the most powerful electric outboard motors on the market. The Rhino VX is outstanding in its low power consumption, allowing it to be used for longer periods with regular battery capacity. The motor is operated and steered with a telescopic tiller offering 5 forward and 2 reverse speeds. The motor can be tilted up by pushing a button and the depth of the prop as well as steering counterforce are continuously adjustable. With battery indication to prevent any loss of power scenarios. The Rhino VX features exceptionally simple, comfortable and safe overall handling. This electric outboard motor has become a reliable companion to thousands of boat anglers.

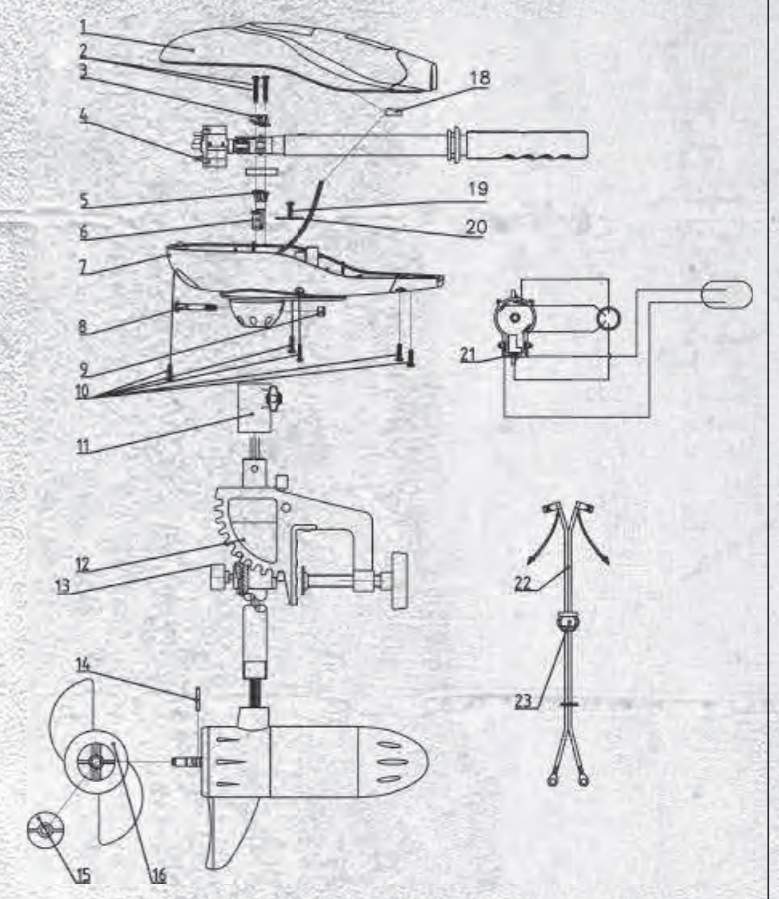
- With loading check display
- With steel shaft
- Extremely low energy consumption

Code	Model	Weight	Speeds	Max. weight of boat	Shaft Length	Length of Battery cable	Volt	RRP £
9925 034	Rhino VX 34	6,70 kg	5V/2R	1100 kg	0,78 m	1,45 m	12	245.95
9925 044	Rhino VX 44	9,55 kg	5V/2R	1350 kg	0,78 m	1,6 m	12	262.95
9925 054	Rhino VX 54	10,00 kg	5V/2R	1750 kg	0,78 m	1,6 m	12	269.95
9925 065	Rhino VX 65	10,00 kg	5V/2R	2100 kg	0,78 m	1,70 m	12	376.95

The length of the motor shaft is equal to the distance between the control head and the submerged drive unit.

## RHINO VX ACCESSORIES

Code	Model	Motor	RRP £
9925 601	Part 1 Top Cover Assembly with display	VX28/34/44/54/65	32.95
9925 701	Part 1 Top Cover Assembly	VX80	62.95
9925 602	Part 2 Screw, 2pcs, all sizes	VX28/34/44/54/80	1.55
9925 603	Part 3 Handle Retainer Clamp (top)	VX28/34/44/54/65/80	1.55
9925 604	Part 4 Switch 5-Speed	VX28	27.95
9925 704	Part 4 Switch 5-Speed	VX28/34/44/54/65	34.95
9925 605	Part 5 Handle Retainer Clamp (Bottom)	VX28/34/44/54/80	1.55
9925 606	Part 6 Fixing Wire Retainer	VX28/34/44/54/80	1.55
9925 607	Part 7 Bottom Cover	VX28/34/44/54	19.95
9925 707	Part 7 Bottom Cover	VX80	23.95
9925 608	Part 8 Screw	VX28/34/44/54/65/80	1.55
9925 609	Part 9 Lock Nut	VX28/34/44/54/65/80	1.55
9925 610	Part 10 Screw, 5pcs	VX28/34/44/54/65/80	4.85
9925 611	Part 11 Depth Collar Assy	VX28/34/44/54	6.55
9925 711	Part 11 Depth Collar Assy	VX80	9.85
9925 612	Part 12 Mount Assembly	VX28/34	73.95
9925 712	Part 12 Mount Assembly	VX44/54	123.95
9925 812	Part 12 Mount Assembly	VX80	173.95
9925 912	Part 12 Mount Assembly	VX65	130.95
9925 613	Part 13 Tension Block Screw	28/34/44/54/65	1.55
9925 713	Part 13 Tension Block Screw	VX80	3.15
9925 614	Part 14 Pin, 5pcs	VX28/34/44/54/65	1.55
9925 714	Part 14 Pin	VX80	4.85
9925 615	Part 15 Prop Nut	VX28/34/44/54/80	4.85
9925 616	Part 16 Prop, 2 blades	VX28/34	40.95
9925 716	Part 16 Prop, 3 blades	VX44/54/65	40.95
9925 816	Part 16 Prop, 3 blades	VX80	43.95
9925 618	Part 18 Faucet disc	VX28/34/44/54/65/80	1.55
9925 619	Part 19 Screw	VX28/34/44/54/65/80	1.55
9925 620	Part 20 Key washer	VX28/34/44/54/65/80	1.55
9925 621	Part 21 Insulating Sleeve	VX28/34/44/54/65/80	1.55
9925 622	Part 22 Battery Cable Assy	VX28/34	19.95
9925 722	Part 22 Battery Cable Assy	VX44/54	19.95
9925 822	Part 22 Battery Cable Assy	VX80	32.95
9925 922	Part 22 Battery Cable Assy	VX65	25.95
9925 623	Part 23 Battery Cable Clip	VX28/34/44/54/65/80	1.55
9925 624	Part 24 Carbon Brushes, 2pcs	VX28	6.55
9925 724	Part 24 Carbon Brushes, 2pcs	VX28/34	12.95
9925 824	Part 24 Carbon Brushes, 2pcs	VX44/54	14.65
9925 924	Part 24 Carbon Brushes, 4pcs	VX80	60.95



## THE TECHNICAL SPECS

Description	Ampere consumption per speed	Watt per speed	Thrust (lbs)	Thrust (kp)
VX-34	1st speed: 9 A	77	6.6 lbs	3.00 kp
	2nd speed: 11 A	101	7.4 lbs	3.40 kp
	3rd speed: 16 A	139	13.2 lbs	6.00 kp
	4th speed: 20 A	162	15.8 lbs	7.20 kp
	5th speed: 40 A	215	34.0 lbs	15.40 kp
VX-44	1st speed: 12 A	105	8.8 lbs	4.00 kp
	2nd speed: 14 A	126	11.0 lbs	5.00 kp
	3rd speed: 25 A	220	22.0 lbs	10.00 kp
	4th speed: 28 A	237	25.9 lbs	11.80 kp
	5th speed: 52 A	290	44.0 lbs	20.00 kp
VX-54	1st speed: 16 A	147	9.25 lbs	4.20 kp
	2nd speed: 18 A	167	11.45 lbs	5.20 kp
	3rd speed: 34 A	270	22.47 lbs	10.20 kp
	4th speed: 38 A	290	26.43 lbs	12.00 kp
	5th speed: 55 A	320	54.00 lbs	24.50 kp
VX-65	1st speed: 11 A	100	10 lbs	4.60 kp
	2nd speed: 16 A	138	14 lbs	6.40 kp
	3rd speed: 20 A	170	27 lbs	12.30 kp
	4th speed: 28 A	255	35 lbs	16.00 kp
	5th speed: 50 A	420	65 lbs	29.50 kp





## RHINO BLX 70 ELECTRIC OUTBOARD MOTOR

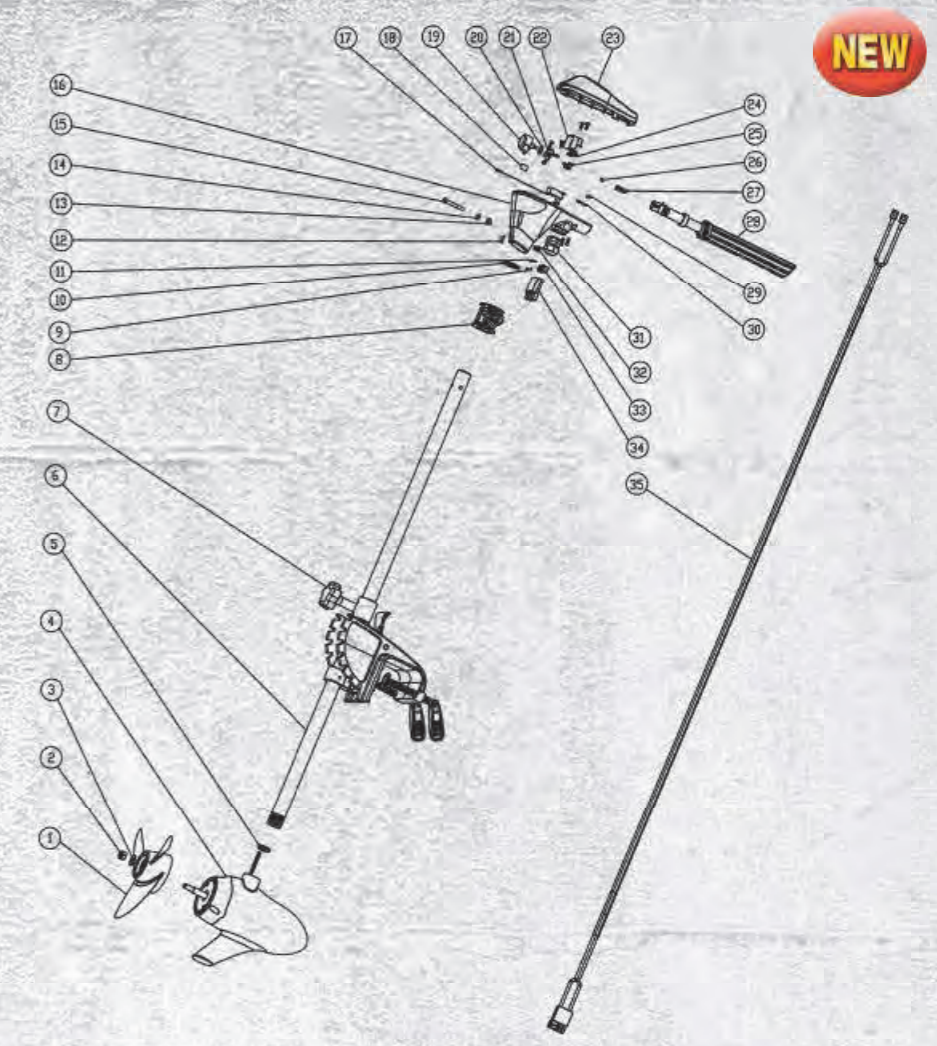
Powerful electric outboard motor with 70lb of thrust at a voltage of 12V. Corresponds to roughly 2 H.P. Maintenance-free design, since no graphite brushes are used as collectors. The so-called S mode (which is activated via the Sport Mode button) brings the motor to maximum performance directly however, it is also possible to use the Vario Speed feature to adjust the speed continuously in forward or reverse. When the motor is running, the display shows the battery condition. The motor also features a USB connector for charging phones or lamps. The tiller is extractable its shaft is made of stainless steel. It folds up by means of a lever. Both the propeller depth in the water and the steering pressure are continuously adjustable. An essential piece of equipment for demanding boat anglers.

Code	Weight	Speeds	Max. weight of boat	Shaft Length	Length of Battery cable	Volt	RRP £
9930 070	12,2 kg	Vario	2000 kg	0,91 m	2,00 m	12	526.95

The length of the motor shaft is equal to the distance between the control head and the submerged drive unit.

## RHINO BLX ACCESSORIES

Code	Model	RRP £
9930 101	Part 1 Prop	40.95
9930 102	Part 2 Prop nut	6.55
9930 103	Part 3 Washer	1.55
9930 104	Part 4 Motor unit	460.95
9930 105	Part 5 Wire protective sleeve	1.55
9930 106	Part 6 Shaft	66.95
9930 107	Part 7 Mount Assy	162.95
9930 108	Part 8 Depth Collar Assy	4.85
9930 109	Part 9 Screw	1.55
9930 110	Part 10 Sealing ring	1.55
9930 111	Part 11 Clamp	1.55
9930 112	Part 12 Screw	1.55
9930 113	Part 13 Locking nut	1.55
9930 114	Part 14 Bushing	1.55
9930 115	Part 15 Bolt	1.55
9930 116	Part 16 Bottom cover	8.15
9930 117	Part 17 USB step-down controller	11.55
9930 118	Part 18 Connector	1.55
9930 119	Part 19 Potentiometer assembly (two)	9.15
9930 120	Part 20 Locking Washer	1.55
9930 121	Part 21 Fixed frame	1.55
9930 122	Part 22 Wire guard	1.55
9930 123	Part 23 Top Cover Assy	40.95
9930 124	Part 24 Fixing clamp (top)	1.55
9930 125	Part 25 Fixing clamp (bottom)	1.55
9930 126	Part 26 Spring	1.55
9930 127	Part 27 Connecting shaft	1.55
9930 128	Part 28 Handle Assy	32.95
9930 129	Part 29 Screw	1.55
9930 130	Part 30 Spring	1.55
9930 131	Part 31 Water joint	1.55
9930 132	Part 32 Seal cover	1.55
9930 133	Part 33 Rubber plug	1.55
9930 134	Part 34 Connector shell	9.15
9930 135	Part 35 Main battery cable	32.95





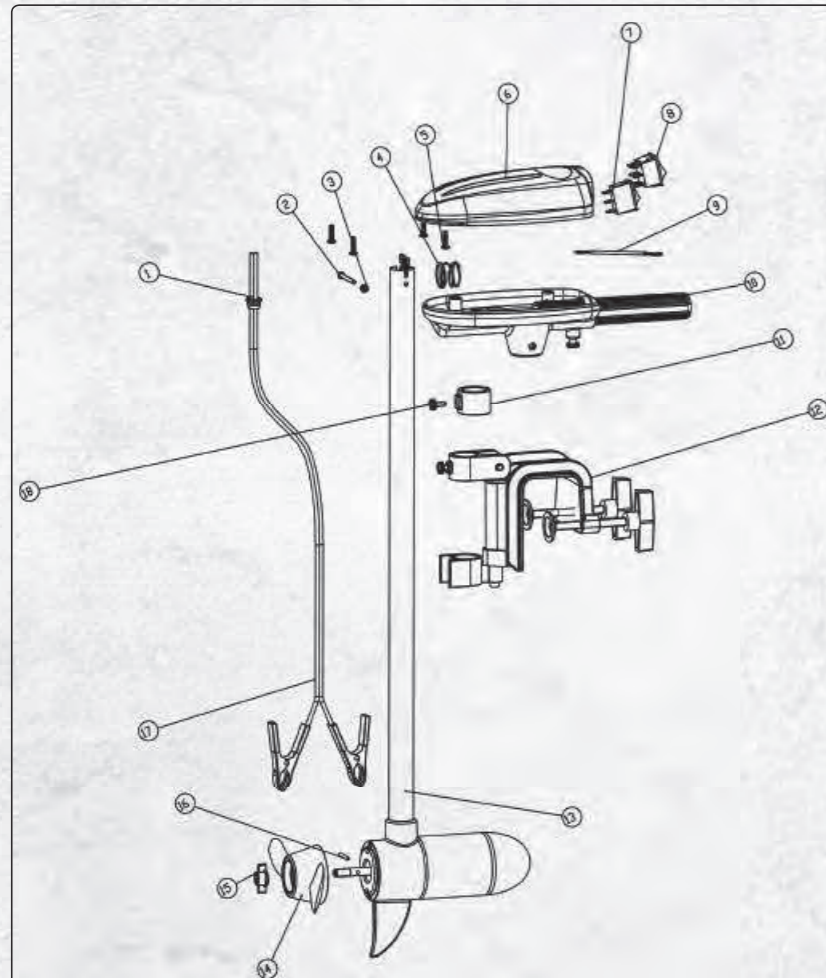
Always keeping you moving....



## RHINO COBOLD OUTBOARD MOTOR

Small and manageable but effective. With its 18 lb of thrust the Cobold is designed for use with dinghies or canoes. Like its big brother, the Cobold boasts optimal power consumption enabling longer operation for the same battery capacity. Features a switch for 'forwards', 'off' and 'backwards', also offers a choice of two speeds. The propeller depth in the water and steering pressure are continuously adjustable via screws. The tiller can be lowered into the motor head to save space during transport. Finally, the shaft comes with an ingenious fastener allowing the motor to fold up should it come up against any obstacles. Overall the Rhino Cobold handles easily, comfortably and safely.

Code	Weight	Speeds	Max. weight of boat	Shaft Length	Length of Battery cable	Volt	RRP £
9921 018	2,45 kg	2V/2R	500 kg	0,60 m	1,60 m	12	117.95



## RHINO COBOLD ACCESSORIES

Code	Model	RRP £
9921 101	Part 1 battery cable clip	1.55
9921 102	Part 2 screw	1.55
9921 103	Part 3 locking nut	1.55
9921 104	Part 4 spring	1.55
9921 105	Part 5 screw 4pcs	1.85
9921 106	Part 6 top cover	23.95
9921 107	Part 7 switch	5.55
9921 108	Part 8 switch	5.55
9921 109	Part 9 wire assembly	3.55
9921 110	Part 10 bottom cover assy	14.65
9921 111	Part 11 depth collar assy	4.85
9921 112	Part 12 mount assembly	53.95
9921 113	Part 13 motor assembly	51.95
9921 114	Part 14 propeller	29.95
9921 115	Part 15 prop nut	3.75
9921 117	Part 17 main battery cable	13.15
9921 118	Part 18 screw	1.55
9921 119	Part 19 carbon brush 2pcs	7.45



## PROP KEY

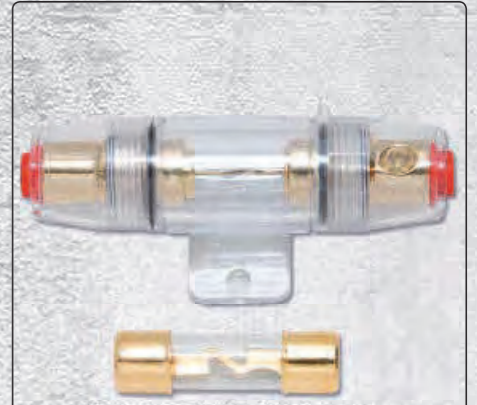
Code	Model	RRP £
9925 395	Thunder/VX	9.15



## REPAIR KITS

With all important spare parts.

Code	Model	RRP £
9925 930	Repair Kit Rhino VX28	41.95
9925 931	Repair Kit Rhino VX34	41.95
9925 932	Repair Kit Rhino VX44	41.95
9925 933	Repair Kit Rhino VX54	41.95
9925 934	Repair Kit Rhino VX80	69.95
9925 941	Repair Kit Rhino Cobold	14.45
9925 954	Repair Kit Rhino VX65	45.95



## MOTOR FUSES

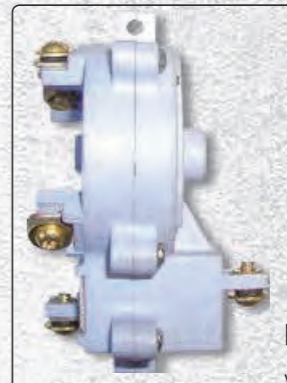
Code	Model	Motor	RRP £
9925 947	Set 40A	VX28/34	18.35
9925 950	40A	VX28/34	3.95
9925 951	50A	VX44/54/T4/T5	3.95



## RHINO VX ACCESSORIES

VX 28 (current) + 34-54 (Serial No. under 58397)

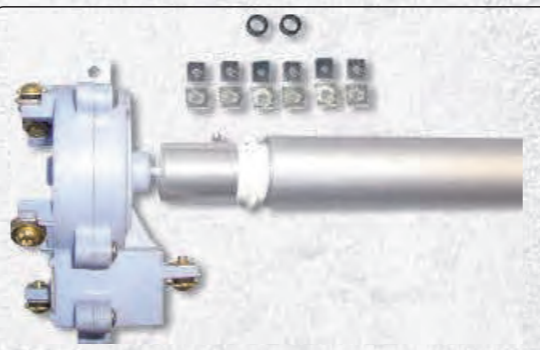
Code	Model	RRP £
9925 604	Part 4 Switch 5-Speed	27.95



## RHINO VX ACCESSORIES

VX 34-54 (current models, Serial No. from 58397)

Code	Model	RRP £
9925 704	Part 4 Switch 5 Speed	34.95



## REPAIR KITS

VX 34-54 (Serial No. under 58397)

Code	Model	RRP £
9925 804	Speed Control Switch Upgrade Kit VX34-54	45.95



## PROP-SET

With a choice of a two or three blade propeller, supplied with a shear pin and fixing screw.

Code	Model	RRP £
9925 397	VX28 / VX34	47.95
9925 398	VX44 / VX54 / T4 / T5	49.95
9925 399	VX80 / T8	51.95



# RHINO



## PREDATOR LANDING NET

Super-robust predator landing net with all-round metal frame. The rubberised mesh provides optimal protection for the fish and dries in no time. Available in the two most popular sizes!

Code	Length	Width	Height	Size	Tr-Length	Mesh	RRP £
7003 240	2,40 m	60 cm	70 cm	XL	1,05 m	24 x 16 mm	66.95
7003 255	2,55 m	80 cm	90 cm	XXL	1,05 m	24 x 16 mm	82.95



## RHINO CAP

Material: 100% Cotton

Code	Colour	RRP £
9788 072	black	8.15



## MEASURE TAPE STICKER

Special high-tech boat sticker with certified seawater resistance. Highly UV-resistant thanks to the use of screen printing. The UV resistance lasts several years depending on use and the intensity of the actual radiation. Material: Polychlorid adhesive film, P4 polyacrylate high-tech adhesive with certified seawater resistance

Code	Width	Height	RRP £
9949 038	119 cm	12,4 cm	1.85



## RHINO STICKER

With Rhino motif. black/red

Code	Width	Height	RRP £
9949 039	20 cm	7 cm	0.45



## RHINO STICKER

Code	Width	Height	RRP £
9971 958	42 cm	10 cm	1.15